

**Ta**

**COLOS**



# Ta 2.0 1-600

Jeremiah Ferrarese, 2020

 MADE IN ITALY

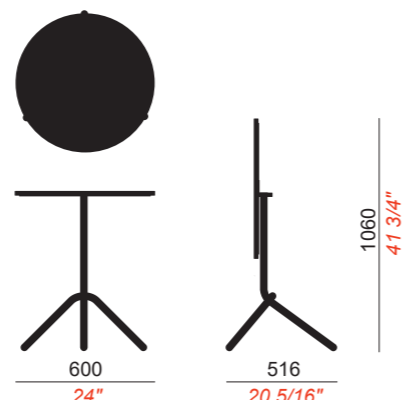


OUTDOOR

## DETTAGLI TECNICI / TECHNICAL DETAILS

BASE: TUBOLARE IN METALLO 35 MM  
BASE: TUBULAR METAL 35 MM

PIANO: LAMIERA O HPL  
TOP: METAL SHEET OR HPL



BASE 3 PIEDI, TOP DIAM. 600  
3 FEET BASE, TOP DIAM. 600

FINITURE FINISHINGS	
BASE / STELO BASE / STEM	VERNICIATO VARNISHED
PIANO TOP	LAMIERA METAL SHEET
PIANO TOP	*HPL BIANCO / NERO *HPL WHITE / BLACK
PIANO TOP	*HPL CORTEN / ROVERE *HPL CORTEN / OAK

\*Per colori HPL vedi pag. 89  
\*For HPL colors please see page 89

### COLORI METALLO VERNICIATO / VARNISHED METAL COLORS



BIANCO TORRENTE SENAPE VERDE SCURO GRIGIO SCURO MELANZANA NERO

NCS 0500-N | NCS S 3005-G50Y | NCS 2070 - Y10R | NCS 8010 - G10Y | NCS 7500 - N | NCS 5540 - Y90R | NCS 9000 - N

# Ta 2.0 1-700

Jeremiah Ferrarese, 2020

 MADE IN ITALY

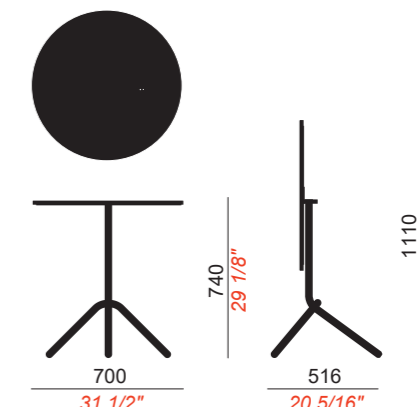


OUTDOOR

## DETTAGLI TECNICI / TECHNICAL DETAILS

BASE: TUBOLARE IN METALLO 35 MM  
BASE: TUBULAR METAL 35 MM

PIANO: LAMIERA O HPL  
TOP: METAL SHEET OR HPL



BASE 3 PIEDI, TOP DIAM. 700  
3 FEET BASE, TOP DIAM. 700

FINITURE FINISHINGS	
BASE / STELO BASE / STEM	VERNICIATO VARNISHED
PIANO TOP	LAMIERA METAL SHEET
PIANO TOP	*HPL BIANCO / NERO *HPL WHITE / BLACK
PIANO TOP	*HPL CORTEN / ROVERE *HPL CORTEN / OAK

\*Per colori HPL vedi pag. 89  
\*For HPL colors please see page 89

### COLORI METALLO VERNICIATO / VARNISHED METAL COLORS



BIANCO TORRENTE SENAPE VERDE SCURO GRIGIO SCURO MELANZANA NERO

NCS 0500-N | NCS S 3005-G50Y | NCS 2070 - Y10R | NCS 8010 - G10Y | NCS 7500 - N | NCS 5540 - Y90R | NCS 9000 - N

# Ta 2.0 1/Q-600

Jeremiah Ferrarese, 2020

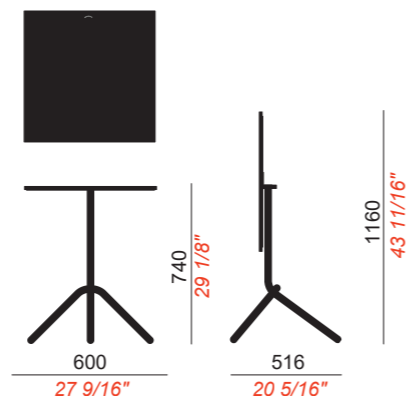
 MADE IN ITALY



## DETTAGLI TECNICI / TECHNICAL DETAILS

BASE: TUBOLARE IN METALLO 35 MM  
BASE: TUBULAR METAL 35 MM

PIANO: LAMIERA O HPL  
TOP: METAL SHEET OR HPL



BASE 3 PIEDI, TOP DIAM. 600  
3 FEET BASE, TOP DIAM. 600

FINITURE FINISHINGS	
BASE / STELO BASE / STEM	VERNICIATO VARNISHED
PIANO TOP	LAMIERA METAL SHEET
PIANO TOP	*HPL BIANCO / NERO *HPL WHITE / BLACK
PIANO TOP	*HPL CORTEN / ROVERE *HPL CORTEN / OAK

\*Per colori HPL vedi pag. 89  
\*For HPL colors please see page 89

### COLORI METALLO VERNICIATO / VARNISHED METAL COLORS



BIANCO TORRENTE SENAPE VERDE SCURO GRIGIO SCURO MELANZANA NERO

NCS 0500-N | NCS S 3005-G50Y | NCS 2070 - Y10R | NCS 8010 - G10Y | NCS 7500 - N | NCS 5540 - Y90R | NCS 9000 - N

# Ta 2.0 1/Q-700

Jeremiah Ferrarese, 2020

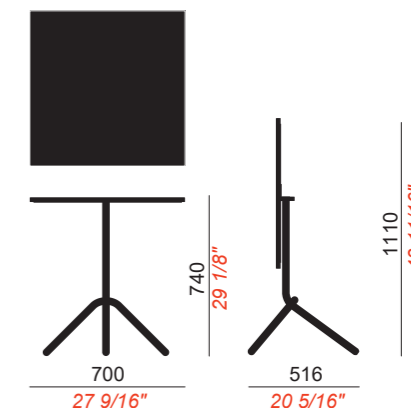
 MADE IN ITALY



## DETTAGLI TECNICI / TECHNICAL DETAILS

BASE: TUBOLARE IN METALLO 35 MM  
BASE: TUBULAR METAL 35 MM

PIANO: LAMIERA O HPL  
TOP: METAL SHEET OR HPL



BASE 3 PIEDI, TOP DIAM. 700  
3 FEET BASE, TOP DIAM. 700

FINITURE FINISHINGS	
BASE / STELO BASE / STEM	VERNICIATO VARNISHED
PIANO TOP	LAMIERA METAL SHEET
PIANO TOP	*HPL BIANCO / NERO *HPL WHITE / BLACK
PIANO TOP	*HPL CORTEN / ROVERE *HPL CORTEN / OAK

\*Per colori HPL vedi pag. 89  
\*For HPL colors please see page 89

### COLORI METALLO VERNICIATO / VARNISHED METAL COLORS




BIANCO TORRENTE SENAPE VERDE SCURO GRIGIO SCURO MELANZANA NERO

NCS 0500-N | NCS S 3005-G50Y | NCS 2070 - Y10R | NCS 8010 - G10Y | NCS 7500 - N | NCS 5540 - Y90R | NCS 9000 - N

# Ta 2.0 2-600

Jeremiah Ferrarese, 2020

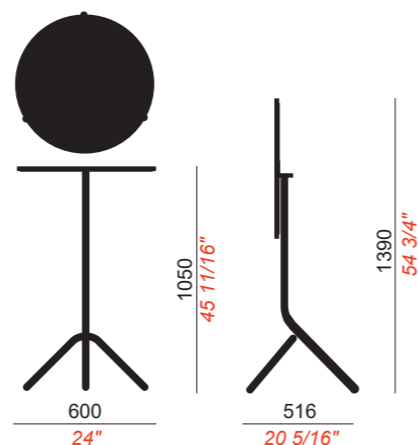
 MADE IN ITALY



## DETTAGLI TECNICI / TECHNICAL DETAILS

BASE: TUBOLARE IN METALLO 35 MM  
BASE: TUBULAR METAL 35 MM

PIANO: LAMIERA O HPL  
TOP: METAL SHEET OR HPL



BASE 3 PIEDI, TOP DIAM. 600  
3 FEET BASE, TOP DIAM. 600

### FINITURE FINISHINGS

BASE / STELO BASE / STEM	VERNICIATO VARNISHED
PIANO TOP	LAMIERA METAL SHEET
PIANO TOP	*HPL BIANCO / NERO *HPL WHITE / BLACK
PIANO TOP	*HPL CORTEN / ROVERE *HPL CORTEN / OAK

\*Per colori HPL vedi pag. 89  
\*For HPL colors please see page 89

### COLORI METALLO VERNICIATO / VARNISHED METAL COLORS



BIANCO TORRENTE SENAPE VERDE SCURO GRIGIO SCURO MELANZANA NERO

NCS 0500-N | NCS S 3005-G50Y | NCS 2070 - Y10R | NCS 8010 - G10Y | NCS 7500 - N | NCS 5540 - Y90R | NCS 9000 - N

# Ta 2.0 2/Q-600

Jeremiah Ferrarese, 2020

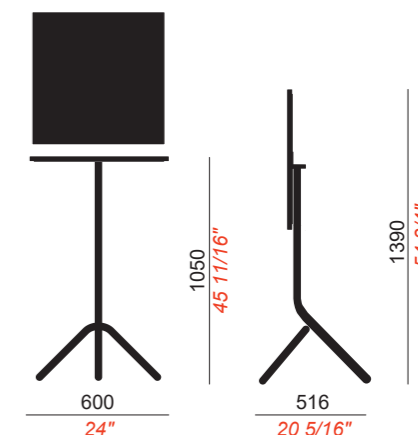
 MADE IN ITALY



## DETTAGLI TECNICI / TECHNICAL DETAILS

BASE: TUBOLARE IN METALLO 35 MM  
BASE: TUBULAR METAL 35 MM

PIANO: LAMIERA O HPL  
TOP: METAL SHEET OR HPL



BASE 3 PIEDI, TOP DIAM. 600  
3 FEET BASE, TOP DIAM. 600

### FINITURE FINISHINGS

BASE / STELO BASE / STEM	VERNICIATO VARNISHED
PIANO TOP	LAMIERA METAL SHEET
PIANO TOP	*HPL BIANCO / NERO *HPL WHITE / BLACK
PIANO TOP	*HPL CORTEN / ROVERE *HPL CORTEN / OAK

\*Per colori HPL vedi pag. 89  
\*For HPL colors please see page 89

### COLORI METALLO VERNICIATO / VARNISHED METAL COLORS



BIANCO TORRENTE SENAPE VERDE SCURO GRIGIO SCURO MELANZANA NERO

NCS 0500-N | NCS S 3005-G50Y | NCS 2070 - Y10R | NCS 8010 - G10Y | NCS 7500 - N | NCS 5540 - Y90R | NCS 9000 - N



Deze informatie is afkomstig van de website van Italy365.

Voor vragen, toelichting en meer informatie kunt u contact opnemen met:

---

**Italy365**

Modem 20b

7741 MJ Coevorden

---

**T** +31(0)85-0773688

**W** [www.italy365.nl](http://www.italy365.nl)

**E** [info@italy365.nl](mailto:info@italy365.nl)